

Oblige





IOB PM+L 11

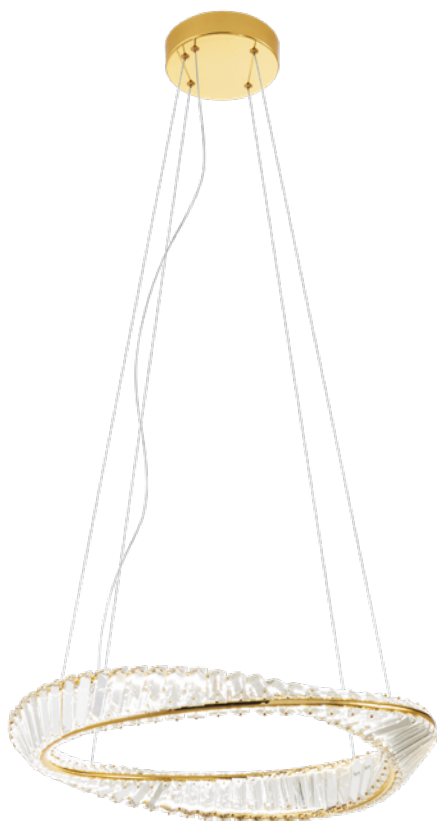
Oblige



IOB PS+M 11



IOB PM+L 11



IOB PL 11



IOB PXL 11



Light fixtures for interior equipped with SMD LEDs, structure of gold plated metal with crystal decorations.

Corpuri de iluminat pentru interior echipate cu LED-uri SMD, structură din metal aurit și decorațiuni din cristal.

Apparecchi per interni equipaggiati con LED SMD, struttura in metallo dorato e decorazioni in cristallo.

Светильники для внутреннего освещения, оснащенные светодиодами SMD, с металлической структурой, окрашенной в золотистый цвет, и декоративными хрустальными элементами.

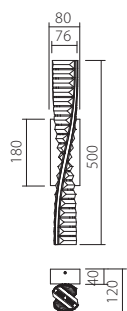
Beltéri lámpa testek , SMD LED-el szerelve , arany fém szerkezet , kristály díszítéssel.

Осветители тела за интерьер, оборудвани с LED-ове SMD, структура от позлатен метал и кристални декорации.

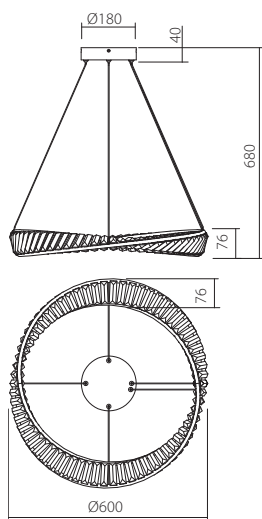
Interiérové svietidlá vybavené SMD LED, štruktúra z pozláteného kovu s kryštálovými dekoráciami.



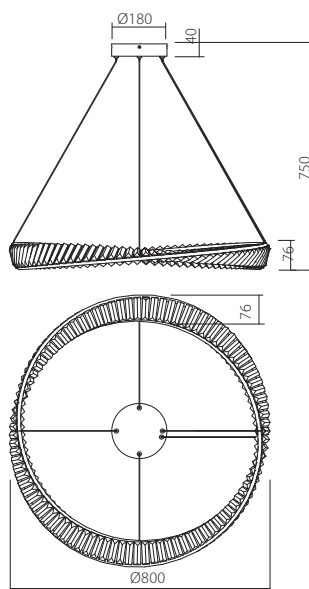
IOB W 11



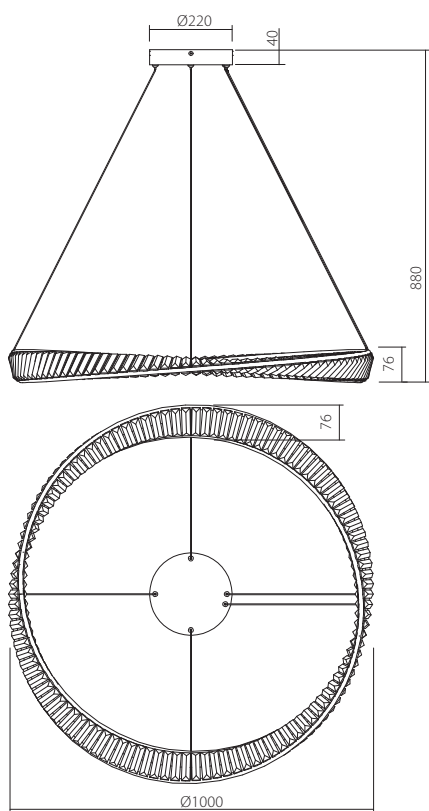
Art.
IOB W 11
LED type SMD LED 2835 222 pcs x 0,07W
Power 17W
Input 220-240V, 50/60Hz
Color temperature CCT 3000K/4000K/6000K
Luminous flux LED 2040 lm
Luminous flux system 1310 lm
CRI 90
3 step dimming



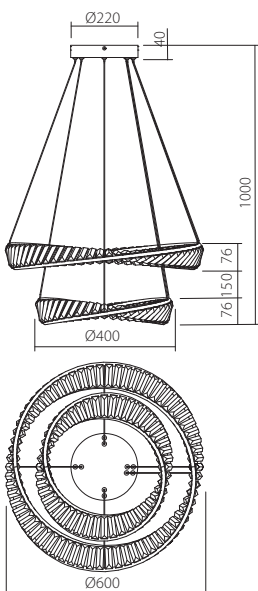
Art.
IOB PM 11
LED type SMD LED 2835 418 pcs x 0,07W
Power 31W
Input 220-240V, 50/60Hz
Color temperature CCT 3000K/4000K/6000K
Luminous flux LED 3720 lm
Luminous flux system 2418 lm
CRI 90
3 step dimming



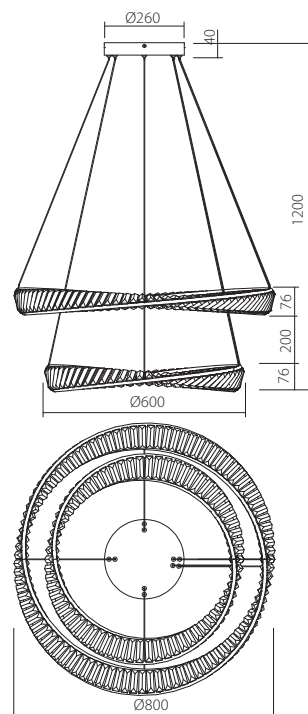
Art.
IOB PL 11
LED type SMD LED 2835 558 pcs x 0,07W
Power 42W
Input 220-240V, 50/60Hz
Color temperature CCT 3000K/4000K/6000K
Luminous flux LED 5040 lm
Luminous flux system 3326 lm
CRI 90
3 step dimming



Art.
IOB PXL 11
LED type SMD LED 2835 697 pcs x 0,07W
Power 52W
Input 220-240V, 50/60Hz
Color temperature CCT 3000K/4000K/6000K
Luminous flux LED 6240 lm
Luminous flux system 4118 lm
CRI 90
3 step dimming



Art.
IOB PS+M 11
LED type SMD LED 2835 697 pcs x 0,07W
Power 50W
Input 220-240V, 50/60Hz
Color temperature CCT 3000K/4000K/6000K
Luminous flux LED 6000 lm
Luminous flux system 3900 lm
CRI 90
3 step dimming



Art.
IOB PM+L 11
LED type SMD LED 2835 1976 pcs x 0,03W
Power 73W
Input 220-240V, 50/60Hz
Color temperature CCT 3000K/4000K/6000K
Luminous flux LED 8760 lm
Luminous flux system 5606 lm
CRI 90
3 step dimming

